

HORTON BRASSES, INC.

MAKERS OF FINE HARDWARE

~ SINCE 1936 ~

Digital Catalog 2019



Mirror & Clock

H-67 Escutcheon & Knob Pull

Add beauty and classic style to any desk, clock, or small drawer with our knobs. Made out of brass and finished by hand, our elegant desk and clock knobs and escutcheons have a thin, elegant design with embellishments at the top and bottom. Coordinated designs between the hardware pull any furniture together, and all have the right fit for narrow frames.



H-67K Light Antique

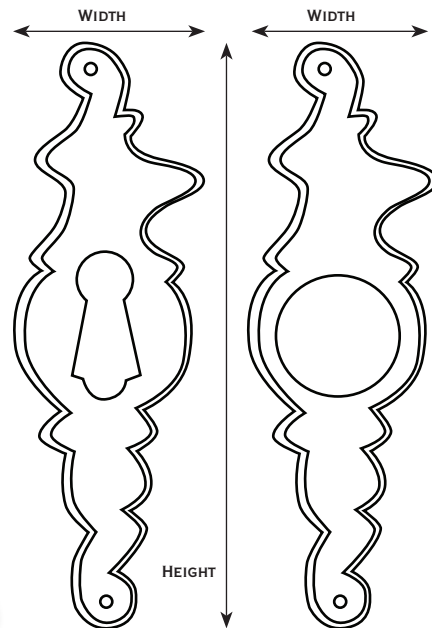
H-67 Antique



Available
Finishes

Dimensions

	width	height	knob diameter
H-67	$1\frac{5}{16}$ "	3"	-
H-67K	$1\frac{5}{16}$ "	3"	$\frac{5}{8}$ "



H-67 ACTUAL SIZE

H-67K ACTUAL SIZE

H-94 Desk & Clock Knobs

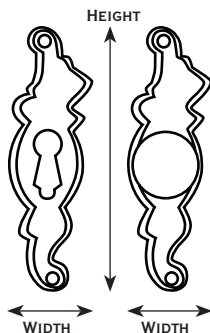
Add beauty and classic style to any desk, clock, or small drawer with our knobs. Made out of brass and finished by hand, our elegant desk and clock knobs and escutcheons have a thin, elegant design with embellishments at the top and bottom. Coordinated designs between the hardware pull any furniture together, and all have the right fit for narrow frames.

Add an accent to enliven your furniture with our desk and clock knobs and escutcheons. For all back plates and knobs, choose between 5 different finishes.

See the rest of the finishes online at www.horton-brasses.com/deskclockknobs.asp



Available
Finishes



Dimensions

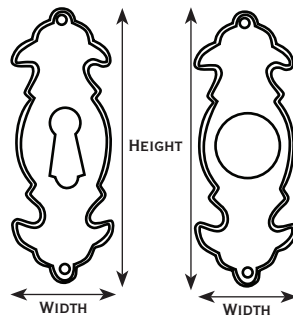
	width	height	knob diameter
H-94	$\frac{5}{8}$ "	2"	-
H-94K	$\frac{5}{8}$ "	2"	$\frac{1}{2}$ "



H-121 Antique

H-121K Light Antique

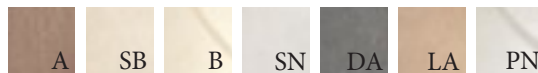
See the rest of the finishes online at
www.horton-brasses.com/deskclockknobs.asp



H-121 Desk & Clock Knobs

Add beauty and classic style to any desk, clock, or small drawer with our knobs. Made out of brass and finished by hand, our elegant desk and clock knobs and escutcheons have a thin, elegant design with embellishments at the top and bottom. Coordinated designs between the hardware pull any furniture together, and all have the right fit for narrow frames.

Add an accent to enliven your furniture with our desk and clock knobs and escutcheons. For all back plates and knobs, choose between 5 different finishes.



Available
Finishes

Dimensions

	width	height	knob diameter
H-121	1"	2 ⁵ / ₈ "	-
H-121K	1"	2 ⁵ / ₈ "	5/ ₈ "

H-509 Desk & Clock Knobs

Add beauty and classic style to any desk, clock, or small drawer with our knobs. Made out of brass and finished by hand, our elegant desk and clock knobs and escutcheons have a thin, elegant design with embellishments at the top and bottom. Coordinated designs between the hardware pull any furniture together, and all have the right fit for narrow frames.

Add an accent to enliven your furniture with our desk and clock knobs and escutcheons. For all back plates and knobs, choose between 5 different finishes.

Dimensions

	width	height	knob diameter
H-509	$\frac{1}{2}$ "	$1\frac{1}{2}$ "	-
H-509K	$\frac{1}{2}$ "	$1\frac{1}{2}$ "	$\frac{3}{8}$ "

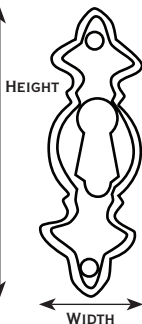
Available
Finishes



H-509K ACTUAL SIZE



H-509 ACTUAL SIZE



H-509 Antique

H-509K Light Antique

See the rest of the finishes online at
www.horton-brasses.com/deskclockknobs.asp

H-552 Desk & Clock Knobs

Add beauty and classic style to any desk, clock, or small drawer with our knobs. Made out of brass and finished by hand, our elegant desk and clock knobs and escutcheons have a thin, elegant design with embellishments at the top and bottom. Coordinated designs between the hardware pull any furniture together, and all have the right fit for narrow frames.

Add an accent to enliven your furniture with our desk and clock knobs and escutcheons. For all back plates and knobs, choose between 5 different finishes.

Dimensions

	width	height	knob diameter
H-552	1 ³ / ₁₆ "	4 ³ / ₈ "	-
H-552K	1 ³ / ₁₆ "	4 ³ / ₈ "	3/ ₄ "



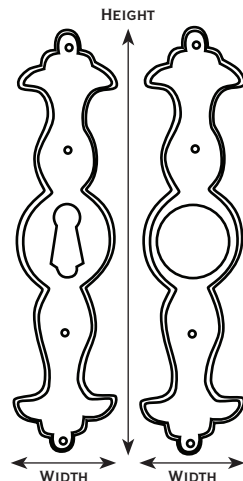
Available Finishes



H-552K Light Antique

H-552 Antique

See the rest of the finishes online at www.horton-brasses.com/deskclockknobs.asp



HDH-2 Clock Hinges

Specialty devices call for specialty hardware. While other makers have discontinued such products, Horton Brasses considers the reproduction and restoration needs of our customers. Clock and box hinges fall within this limited but requested scope.

Cast out of brass, clock hinges are an essential element that covers the face of a reproduction clock. Brass plates are mortised at the top and bottom, and thick pins go through the metal. The smooth, durable design makes such hinges a requirement.

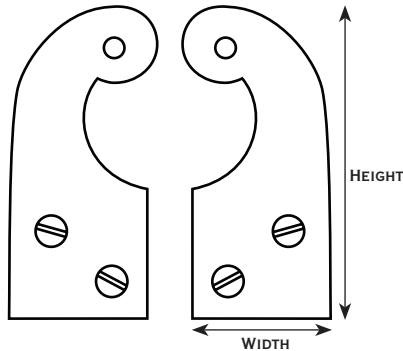


Available
Finishes

Dimensions

	width	height
HDH-2	$1\frac{11}{16}$ "	$1\frac{5}{8}$ "

*See the rest of the finishes online at
www.horton-brasses.com/clockboxhinges.asp*



HDH-2 ACTUAL SIZE



HDH-2 Semi Bright

H-21 Light Antique



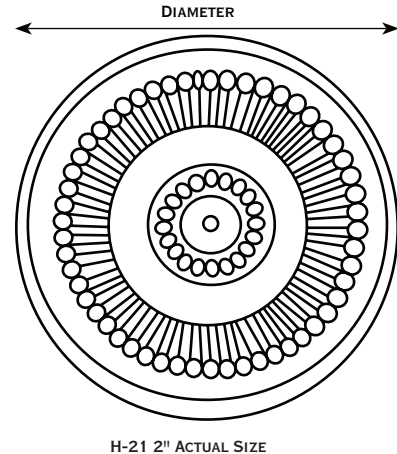
Mirror & Clock Rosettes

Once strictly relegated to clocks and mirrors, rosettes have evolved into an attractive and practical ornament for furniture and other facets of the home, such as trunks, windows, cabinets, and boxes. The elaborate metal trim adds a touch of style over damaged areas, and for finding the most accurate match, all brass rosettes are crafted with a choice of five hand applied finishes. A pin, provided, secures the clock or mirror rosette through the center.

See the rest of the finishes online at
www.horton-brasses.com/mirrorclock.asp

Dimensions

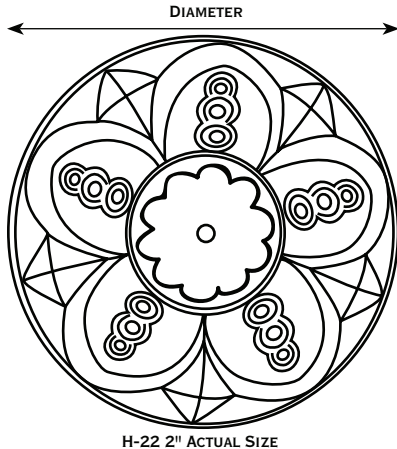
	diameter	projection
H-21 1"	1"	$\frac{3}{16}$ "
H-21 1 $\frac{1}{4}$ "	1 $\frac{1}{4}$ "	$\frac{3}{16}$ "
H-21 1 $\frac{1}{2}$ "	1 $\frac{1}{2}$ "	$\frac{3}{16}$ "
H-21 1 $\frac{3}{4}$ "	1 $\frac{3}{4}$ "	$\frac{3}{16}$ "
H-21 2"	2"	$\frac{3}{16}$ "



Dimensions

	diameter	projection
H-22 1 ¹ / ₄ "	1 ¹ / ₄ "	3 ³ / ₁₆ "
H-22 1 ¹ / ₂ "	1 ¹ / ₂ "	3 ³ / ₁₆ "
H-22 2"	2"	3 ³ / ₁₆ "

See the rest of the finishes online at
www.horton-brasses.com/mirrorclock.asp



H-22 Antique



Available
Finishes



MR-104 Antique

Dimensions

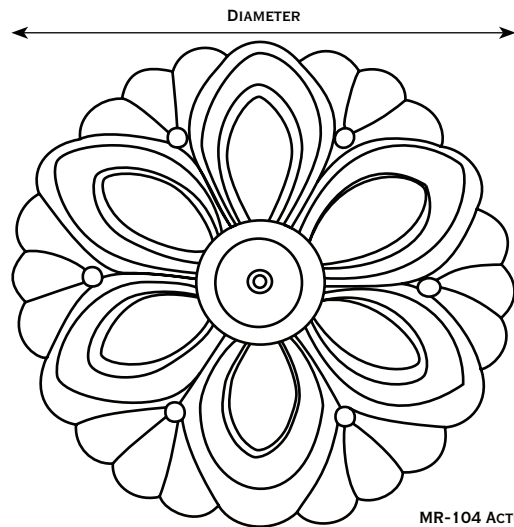
	diameter	projection
MR-104	2 ⁵ / ₈ "	5/ ₁₆ "

Available
Finishes



MR-104 Mirror & Clock Rosettes

Once strictly relegated to clocks and mirrors, rosettes have evolved into an attractive and practical ornament for furniture and other facets of the home, such as trunks, windows, cabinets, and boxes. The elaborate metal trim adds a touch of style over damaged areas, and for finding the most accurate match, all brass rosettes are crafted with a choice of five hand applied finishes. A pin, provided, secures the clock or mirror rosette through the center.



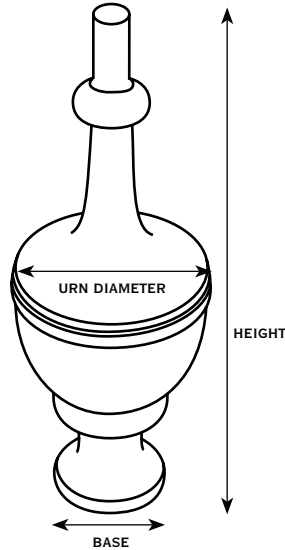
CP-5 Clock Finial

Finish refurbishing your clock or a woodworking project with a gleaming, crowning brass finial. With a grand, stately appearance, clock finials mirror classic styles, such as turned or spun brass balls or eagles. Antique replications capture these timely forms, and machined tops and bases complement each ornament.

See the rest of the finishes online at www.horton-brasses.com/finials.asp



Available
Finishes



CP-5 Light Antique

Dimensions

	height	urn diameter	base
CP-5	$2\frac{1}{8}$ "	$\frac{3}{4}$ "	$\frac{7}{16}$ "

F-3 Clock Finial

Finish refurbishing your clock or a woodworking project with a gleaming, crowning brass finial. With a grand, stately appearance, clock finials mirror classic styles, such as turned or spun brass balls or eagles. Antique replications capture these timely forms, and machined tops and bases complement each ornament.

Dimensions

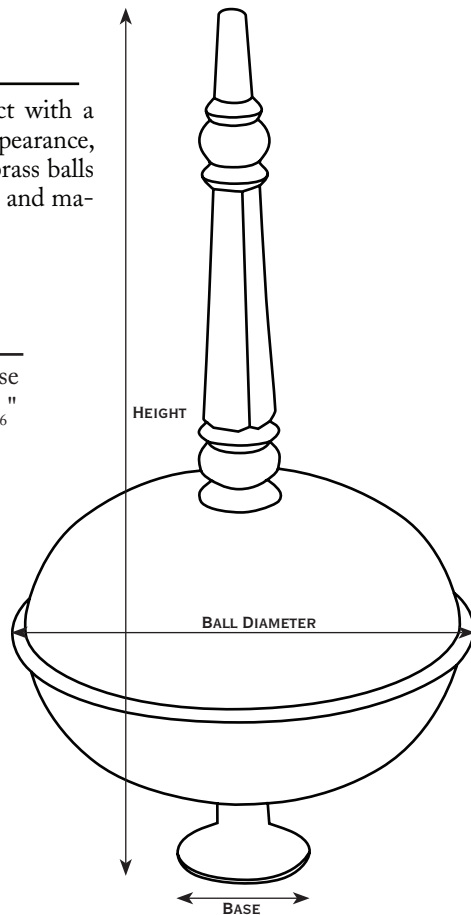
	height	ball diameter	base
F-3	4 ¹ / ₄ "	2"	9/16"

See the rest of the finishes online at www.horton-brasses.com/finials.asp



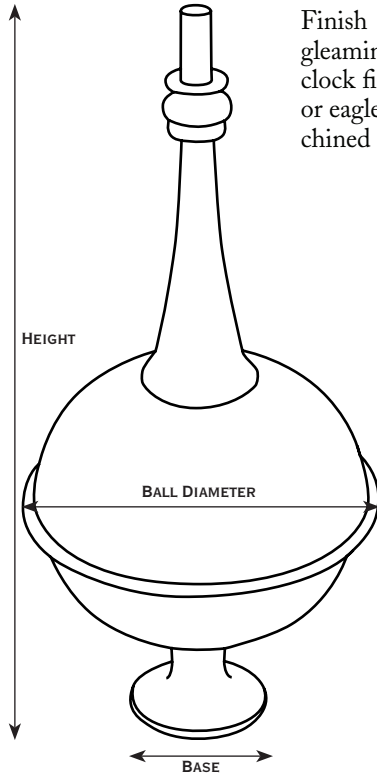
Available Finishes

F-3 Antique



F-13 Clock Finial

Finish refurbishing your clock or a woodworking project with a gleaming, crowning brass finial. With a grand, stately appearance, clock finials mirror classic styles, such as turned or spun brass balls or eagles. Antique replications capture these timely forms, and machined tops and bases complement each ornament.



Available
Finishes

*See the rest of the finishes online at
www.horton-brasses.com/finials.asp*

Dimensions

	height	ball diameter	base
F-13	$3\frac{5}{8}$ "	$1\frac{3}{8}$ "	$\frac{7}{16}$ "

F-13 Light Antique



F-17 Clock Finial

Finish refurbishing your clock or a woodworking project with a gleaming, crowning brass finial. With a grand, stately appearance, clock finials mirror classic styles, such as turned or spun brass balls or eagles. Antique replications capture these timely forms, and machined tops and bases complement each ornament.



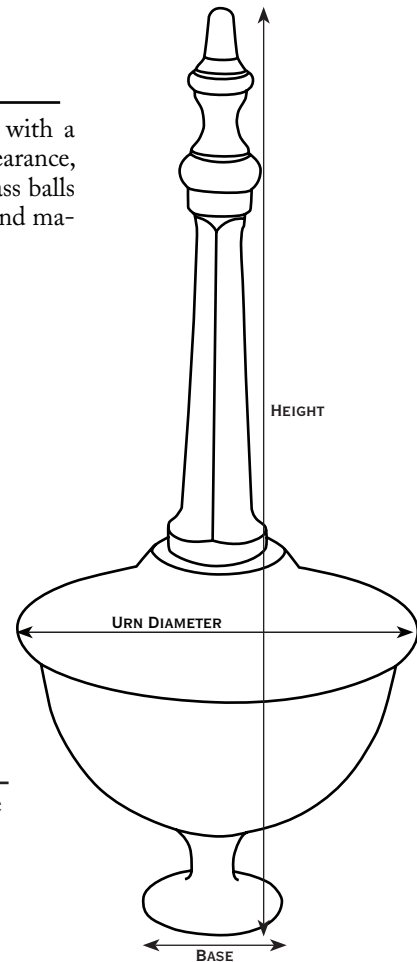
Available
Finishes

See the rest of the finishes online at
www.horton-brasses.com/finials.asp

Dimensions

	height	urn diameter	base
F-17	5"	2 $\frac{1}{8}$ "	$\frac{3}{4}$ "

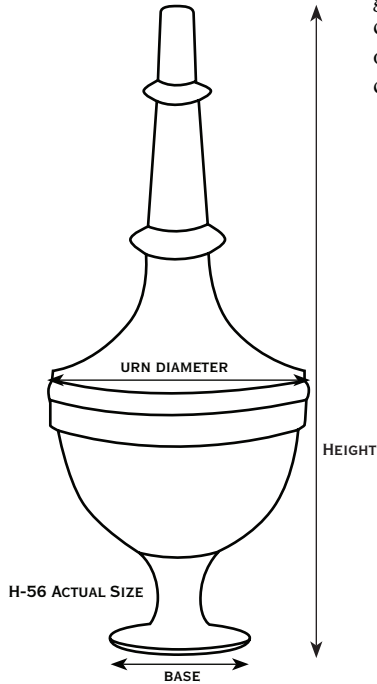
WWW.HORTON-BRASSES.COM



F-17 Dark Antique

H-56 Clock Finial

Finish refurbishing your clock or a woodworking project with a gleaming, crowning brass finial. With a grand, stately appearance, clock finials mirror classic styles, such as turned or spun brass balls or eagles. Antique replications capture these timely forms, and machined tops and bases complement each ornament.



Available
Finishes

*See the rest of the finishes online at
www.horton-brasses.com/finials.asp*

Dimensions

	height	urn diameter	base
H-56	$3\frac{3}{8}$ "	$1\frac{3}{8}$ "	$\frac{3}{4}$ "



H-56 Antique

H-57 Clock Finial

Finish refurbishing your clock or a woodworking project with a gleaming, crowning brass finial. With a grand, stately appearance, clock finials mirror classic styles, such as turned or spun brass balls or eagles. Antique replications capture these timely forms, and machined tops and bases complement each ornament.

H-57 Dark Antique

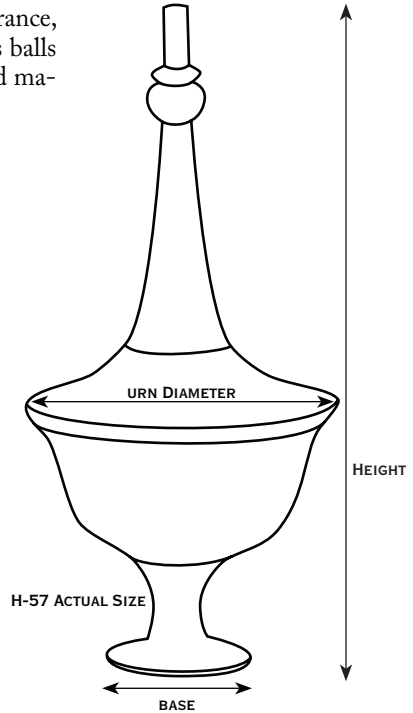


Available
Finishes

*See the rest of the finishes online at
www.horton-brasses.com/finials.asp*

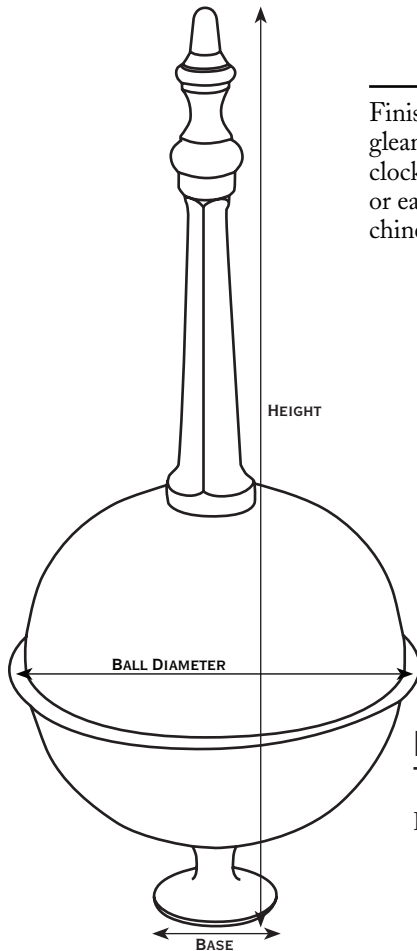
Dimensions

	height	urn diameter	base
H-57	3 ¹ / ₂ "	1 ⁵ / ₈ "	3 ³ / ₄ "



H-85 Clock Finial

Finish refurbishing your clock or a woodworking project with a gleaming, crowning brass finial. With a grand, stately appearance, clock finials mirror classic styles, such as turned or spun brass balls or eagles. Antique replications capture these timely forms, and machined tops and bases complement each ornament.



Available
Finishes

*See the rest of the finishes online at
www.horton-brasses.com/finials.asp*

Dimensions

	height	ball diameter	base
H-85	$5\frac{1}{2}$ "	$2\frac{1}{4}$ "	$\frac{3}{4}$ "



H-508 Clock Finial

Finish refurbishing your clock or a woodworking project with a gleaming, crowning brass finial. With a grand, stately appearance, clock finials mirror classic styles, such as turned or spun brass balls or eagles. Antique replications capture these timely forms, and machined tops and bases complement each ornament.

H-508 Antique

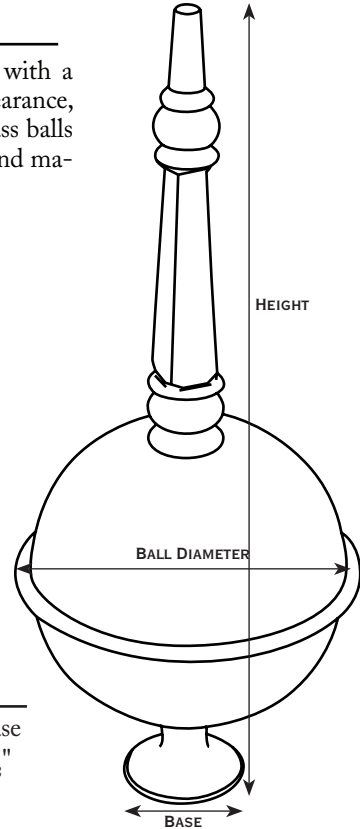


Available Finishes



See the rest of the finishes online at www.horton-brasses.com/finials.asp

Dimensions

	height	ball diameter	base
H-508	4 ¹ / ₄ "	1 ³ / ₄ "	5/ ₈ "



BRASS SCREWS

We stock slotted flat head  (FH), and round head  (RH) **brass wood screws** in the following sizes and lengths. You may order these screws in either antique, dark antique or plain brass.

Phillips head screws are available in select sizes.

#2, #3, #4, #5, #6
#7, #8

bag of 100
bag of 100









Available
Finishes



FLAT HEAD STAINLESS STEEL SCREWS

for use with nickel or chrome hardware

FH#4-SS choose $\frac{5}{8}$ " or $\frac{3}{4}$ " long bag of 100
FH#6-SS choose $\frac{5}{8}$ " or $\frac{3}{4}$ " long bag of 100
 phillips and slotted screws available

					
#2	#3	#4	#5	#6	#8
$\frac{3}{8}$ "FH	$\frac{3}{8}$ "FH $\frac{1}{2}$ "RH $\frac{1}{2}$ "FH	$\frac{3}{8}$ "RH $\frac{1}{2}$ "FH $\frac{5}{8}$ "FH $\frac{3}{4}$ "FH	$\frac{1}{2}$ "FH $\frac{3}{4}$ "FH	$\frac{5}{8}$ "RH $\frac{5}{8}$ "FH $\frac{3}{4}$ "FH	$\frac{5}{8}$ "FH

