

HORTON BRASSES, INC.

MAKERS OF FINE HARDWARE

~ SINCE 1936 ~

Digital Catalog 2019

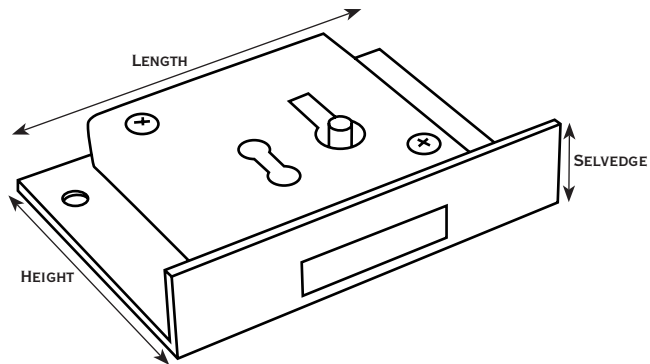
Locks



Signature Drawer Locks

Our new signature line of locks are handmade and imported from the United Kingdom. As with all of our locks, they are made by the Squire family in the Midlands. The Squire's have been making locks for 300 years.

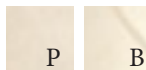
The new signature locks are the finest locks Squire produce. All of the locks are 2 lever locks with extruded cases and screwed on brass caps.



Optional Strike Plate: Our SP-1 will fit these locks.

Each lock is supplied with one matching antique-style key.

Available
Finishes



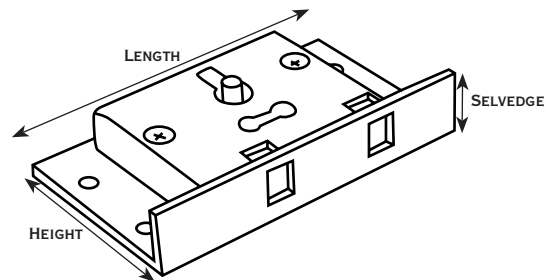
Dimensions

	length	width	selvedge	distance to pin
LK-41	1 1/2"	2"	1/2"	9/16"
LK-42	1 3/4"	2 1/2"	1/2"	5/8"

Signature Box Lock

Our new signature line of locks are handmade and imported from the United Kingdom. As with all of our locks, they are made by the Squire family in the Midlands. The Squire's have been making locks for 300 years.

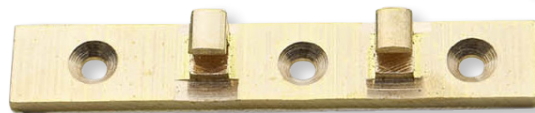
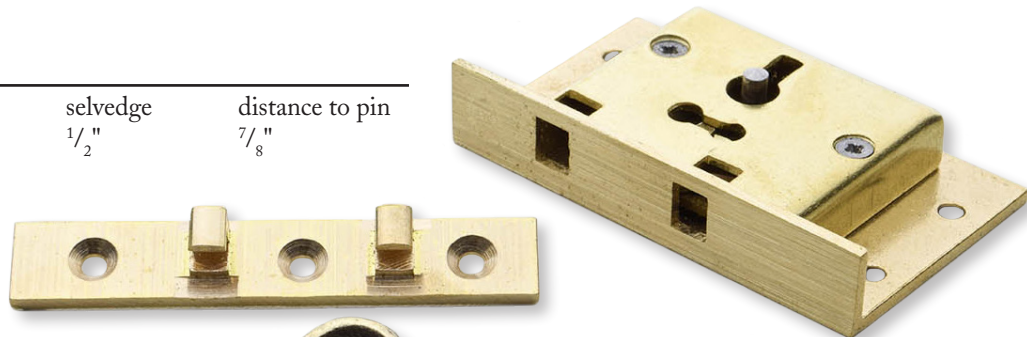
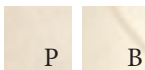
The new signature locks are the finest locks Squire produce. All of the locks are 2 lever locks with extruded cases and screwed on on brass caps.



Dimensions

	height	width	selvedge	distance to pin
LK-46	1 $\frac{1}{2}$ "	2 $\frac{1}{2}$ "	1 $\frac{1}{2}$ "	7 $\frac{7}{8}$ "

Available
Finishes



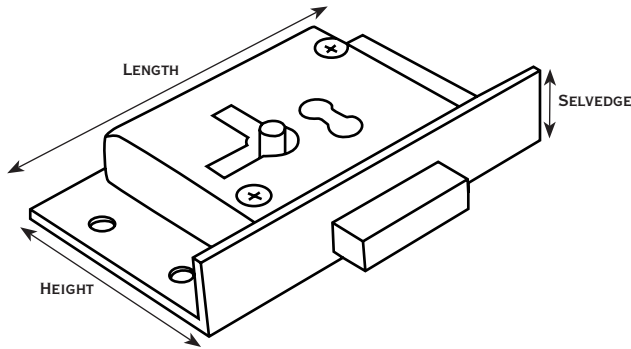
LK-46 Plain Finish

Each lock is supplied with two matching antique-style key.

Signature Door Locks

Our new signature line of locks are handmade and imported from the United Kingdom. As with all of our locks, they are made by the Squire family in the Midlands. The Squire's have been making locks for 300 years.

The new signature locks are the finest locks Squire produce. All of the locks are 2 lever locks with extruded cases and screwed on brass caps.



LK-51 Plain Finish

Lock Sizes

LK-50 Left Handed Door Lock

2 $\frac{1}{2}$ " length, 1 $\frac{1}{2}$ " height, $\frac{1}{2}$ " selvedge,
 $\frac{5}{8}$ " distance to pin

LK-51 Right Handed Door Lock

2 $\frac{1}{2}$ " length, 1 $\frac{1}{2}$ " height, $\frac{1}{2}$ " selvedge,
 $\frac{5}{8}$ " distance to pin

Available
Finishes



Each lock is supplied with two matching antique-style key.

Optional Strike Plate: Our SP-4 will fit these locks.

Signature Cupboard Lock

Our new signature line of locks are handmade and imported from the United Kingdom. As with all of our locks, they are made by the Squire family in the Midlands. The Squire's have been making locks for 300 years.

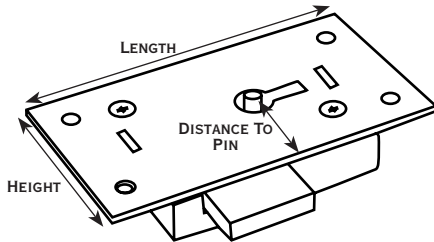
The new signature locks are the finest locks Squire produce. All of the locks are 2 lever locks with extruded cases and screwed on brass caps.

Dimensions

	length	height	distance to pin
LK-53	2 $\frac{1}{2}$ "	1 $\frac{7}{16}$ "	$\frac{3}{4}$ "

Each lock is supplied with two matching antique-style key.

Available
Finishes



LK-53 Plain Finish

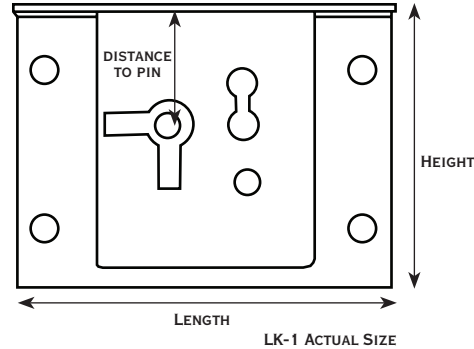


Half Mortise Drawer Locks

These drawer locks are English; made by the Squire family. They have been making locks for more than 300 years.

The external case is solid brass. The internal mechanism is cased in a steel box, just as the old ones were. They operate smoothly and reliably. Each lock is supplied with solid brass screws and one decorative key.

LK-1, 2, and 3 are single lever locks with pressed brass cases.



LK-2 Plain Finish



Dimensions

	length	height	selvedge	distance to pin
LK-1	2"	1 $\frac{1}{2}$ "	3/ $\frac{8}$ "	5/ $\frac{8}$ "
LK-2	2 $\frac{1}{2}$ "	1 $\frac{7}{8}$ "	7/ $\frac{8}$ "	3/ $\frac{8}$ "
LK-3	3"	1 $\frac{7}{8}$ "	7/ $\frac{16}$ "	3/ $\frac{4}$ "

Available
Finishes



*See the rest of the locks and finishes online at
www.horton-brasses.com/halfmortise2.asp*

Optional Strike Plates: Our SP-1 and SP-2 will fit these locks.

Half Mortise Drawer Locks

The external case is solid brass. The internal mechanism is cased in a steel box, just as the old ones were. They operate smoothly and reliably. Each lock is supplied with solid brass screws and one decorative key.

LK-4 and 5 are two lever locks with extruded brass cases. The extruded cases are thicker and lock movements are more precise. The extruded locks also have deep pins, better suited for use with our chippendale pulls and escutcheons.

Lock Sizes

LK-4

$2\frac{3}{4}$ " length, $1\frac{7}{8}$ " height, $\frac{9}{16}$ " seldge, $1\frac{1}{8}$ " distance to pin

LK-5

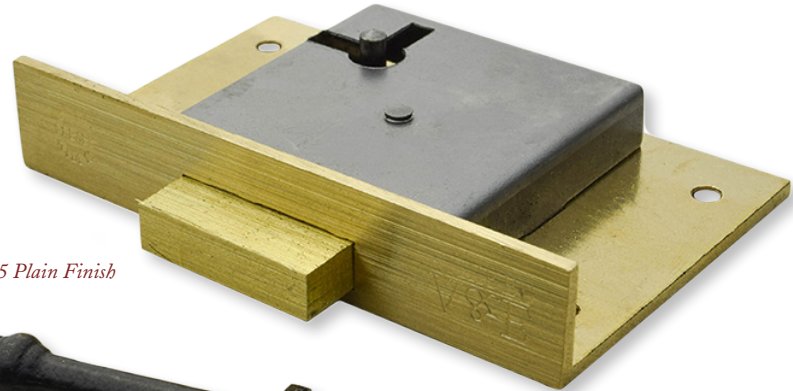
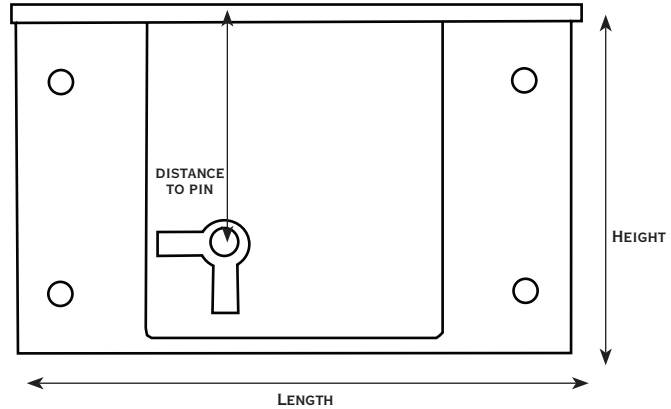
3" length, $1\frac{7}{8}$ " height, $\frac{9}{16}$ " seldge, $1\frac{1}{4}$ " distance to pin

Available
Finishes

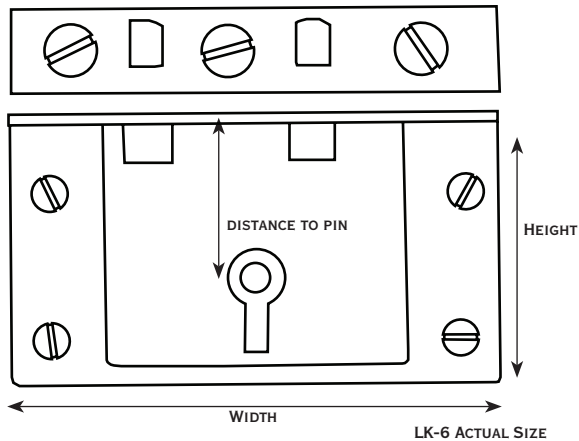


See the rest of the locks and finishes online at www.horton-brasses.com/halfmortise2.asp

LK-4 ACTUAL SIZE



Optional Strike Plate: Our SP-2 will fit these locks.



LK-6 ACTUAL SIZE

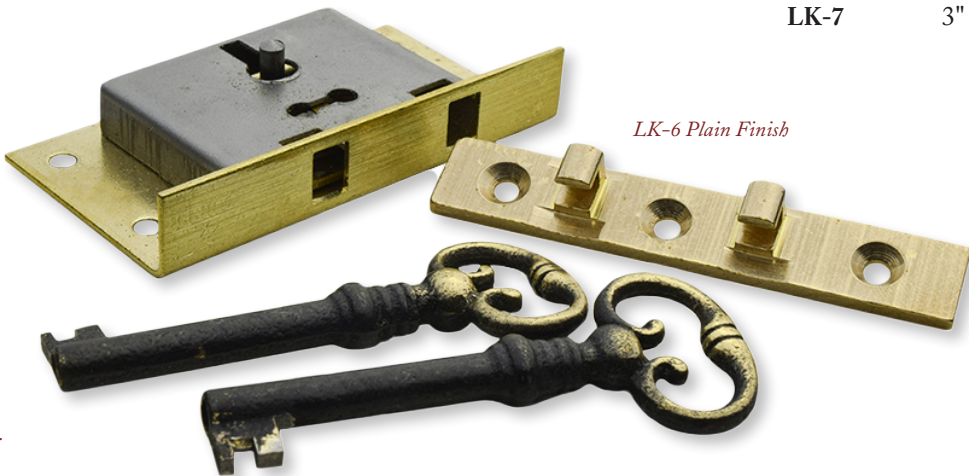
Half Mortise Box Locks

Our solid brass lever box locks are each supplied with two keys and are also supplied with matching receptacle. These box locks are ideal for $\frac{3}{4}$ " thick wood or thicker.

Locks are not available in the antique finish. To achieve an antique look, simply give the body of the lock a coat of stain.

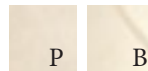
Dimensions

	width	height	selvedge	distance to pin
LK-6	$2\frac{1}{2}$ "	$1\frac{3}{8}$ "	$\frac{1}{2}$ "	$\frac{13}{16}$ "
LK-7	3"	$1\frac{9}{16}$ "	$\frac{9}{16}$ "	$\frac{15}{16}$ "



LK-6 Plain Finish

Available Finishes



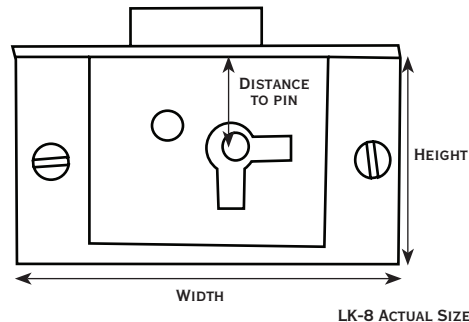
See the rest of the finishes online at www.horton-brasses.com/halfmortisebox.asp

Half Mortise Cabinet Locks

English one lever cabinet locks, each supplied with two decorative antique keys. Ideal for $\frac{3}{4}$ " thick wood.

Stand in front of the cabinet doors. If the hinges are on the right, choose a right handed lock. If the hinges are on the left choose a left handed lock.

Locks are not available in the antique finish. To achieve an antique look, simply give the body of the lock a coat of stain.



*See the rest of the finishes online at
www.horton-brasses.com/half-mortise-cabinet-locks.asp*

Lock Sizes

LK-8 Left Handed Cabinet Lock

2" width, $1\frac{1}{8}$ " height, $\frac{3}{8}$ " selvedge,
 $\frac{1}{2}$ " distance to pin

LK-9 Right Handed Cabinet Lock

2" width, $1\frac{1}{8}$ " height, $\frac{3}{8}$ " selvedge,
 $\frac{1}{2}$ " distance to pin

Optional Strike Plate: Our SP-3 will fit these locks.



LK-8 Plain Finish

Available
Finishes



Half Mortise Cabinet Locks

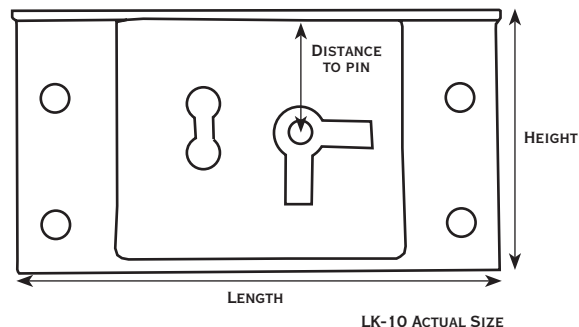
English one lever cabinet locks, each supplied with two decorative antique keys. Ideal for $\frac{3}{4}$ " thick wood.

Stand in front of the cabinet doors. If the hinges are on the right, choose a right handed lock. If the hinges are on the left choose a left handed lock.

Locks are not available in the antique finish. To achieve an antique look, simply give the body of the lock a coat of stain.



LK-11 Plain Finish



Lock Sizes

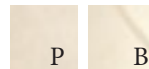
LK-10 Left Handed Cabinet Lock

$2\frac{1}{2}$ " width, $1\frac{5}{16}$ " height, $\frac{7}{16}$ " seldge, $\frac{5}{8}$ " distance to pin

LK-11 Right Handed Cabinet Lock

$2\frac{1}{2}$ " width, $1\frac{5}{16}$ " height, $\frac{7}{16}$ " seldge, $\frac{5}{8}$ " distance to pin

Available
Finishes



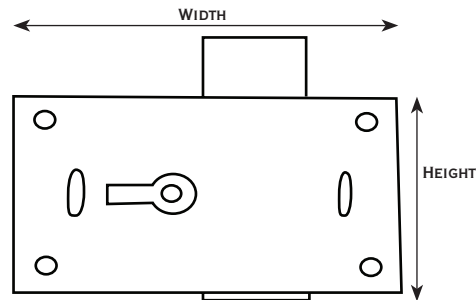
*See the rest of the finishes online at
www.horton-brasses.com/half-mortise-cabinet-locks.asp*

Optional Strike Plate: Our SP-4 will fit these locks.

Straight Cupboard Locks

Straight cupboard locks are surface mounted and may be used for either a right or left-handed door. The plunger often goes into a block mounted behind the stile or face frame. The LK-12 is supplied with two antique finish steel keys, while the LK-13 has plain steel keys.

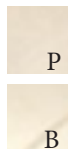
Locks are not available in the antique finish. To achieve an antique look, simply give the body of the lock a coat of stain.



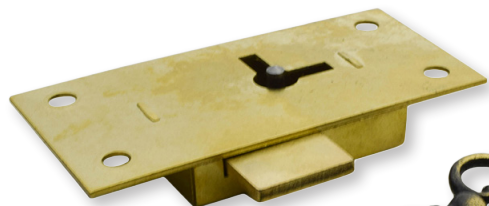
Dimensions

	width	height	distance to pin
LK-12	3"	1 1/2"	3/4"
LK-13	2 5/8"	1 1/2"	3/4"

Available Finishes



See the rest of the finishes online at www.horton-brasses.com/straight.asp



LK-12 Plain Finish



LK-13

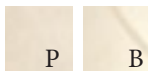


Full Mortise Cabinet Lock

English cabinet locks with a solid brass case, each is supplied with two decorative antique keys and a strikeplate. Ideal for $\frac{3}{4}$ " thick wood or thicker.

Locks are not available in the antique finish. To achieve an antique look, simply give the body of the lock a coat of stain.

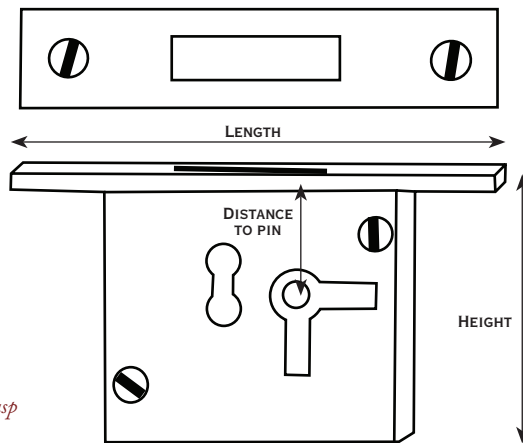
Available
Finishes



See the rest of the finishes online at
www.horton-brasses.com/fullmortise2.asp



LK-21 Plain Finish



Lock Sizes

LK-21 Left Handed Cabinet Lock

$2\frac{1}{2}$ " length, $1\frac{7}{16}$ " height, $\frac{9}{16}$ " selvedge,
 $\frac{5}{8}$ " distance to pin

LK-22 Right Handed Cabinet Lock

$2\frac{1}{2}$ " length, $1\frac{7}{16}$ " height, $\frac{9}{16}$ " selvedge,
 $\frac{5}{8}$ " distance to pin

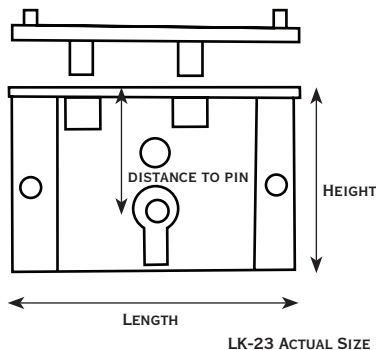
Small Half Mortise Box Locks

Smaller half mortise box locks suitable for keepsake boxes, bible boxes, and larger jewelry boxes.

Supplied with two antique finished keys and matching receptacle.

All of our brass locks are made in England by the Squire family from the West Midlands in England. The Squires have been making locks in that region for 300 years.

*See the rest of the finishes online at
www.horton-brasses.com/boxlock.asp*



Dimensions

	length	height	selvedge	distance to pin
LK-23	1 $\frac{1}{2}$ "	1 $\frac{5}{16}$ "	7 $\frac{7}{16}$ "	9 $\frac{9}{16}$ "
LK-24	2"	1 $\frac{1}{4}$ "	1 $\frac{1}{2}$ "	11 $\frac{11}{16}$ "

Available
Finishes

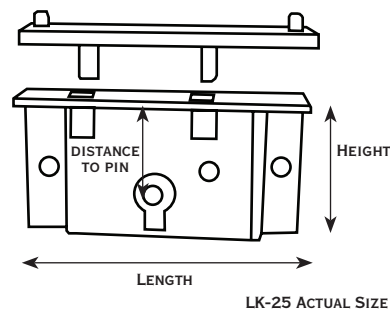


Jewelry Box Lock

Constructed fully out of brass, including the exterior plate and interior box, these locks are accompanied by a matching receptacle and two old-fashioned style, steel keys that add period character. The classic brass lock matches and fits into a variety of jewelry boxes and can be mounted onto $\frac{1}{2}$ " thick wood.

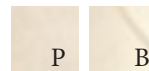
Dimensions

	length	width	selvedge	distance to pin
LK-25	$1\frac{1}{2}$ "	$\frac{3}{4}$ "	$\frac{5}{16}$ "	$\frac{1}{2}$ "



LK-25 Plain Finish

Available
Finishes



*See the rest of the finishes online at
www.horton-brasses.com/jewelryboxlock.asp*

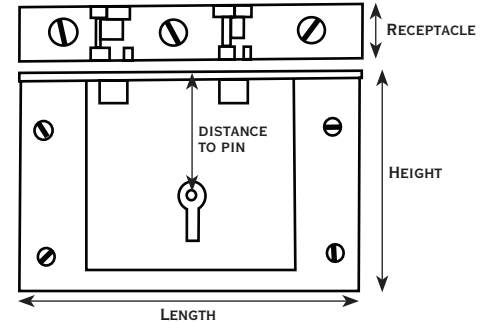
Half -Mortise Chest Lock

Our half mortise chest locks are made of solid brass and are available in two sizes. Each is supplied with two steel keys and a mating receptacle.

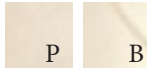
Locks are not available in the antique finish. To achieve an antiqued look, simply give the body of the lock a coat of stain.

Dimensions

	length	height	selvedge	distance to pin
CL-2	3 $\frac{1}{2}$ "	2 $\frac{1}{4}$ "	9/16"	1 $\frac{1}{4}$ "
CL-5	4"	2 $\frac{1}{4}$ "	9/16"	1 $\frac{1}{4}$ "



Available
Finishes



See the rest of the finishes online at
www.horton-brasses.com/halfmortise3.asp

Strike Plates

While some of our locks don't include a matching receptacle or strike plate, we do offer them here should you need one for your project. Made of solid brass, each strikeplate is supplied with all fasteners need for installation and are available in all five brass finishes.

SP-1 Antique



See the rest of the finishes online at www.horton-brasses.com/locks.asp

SP-4 Light Antique



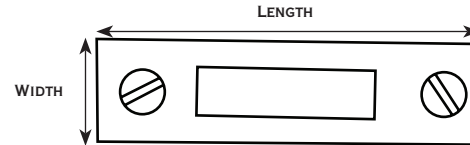
Dimensions

	length	width
SP-1	2"	1/2"
SP-2	2 1/2"	1/2"
SP-3	2 1/2"	5/8"
SP-4	2 1/2"	5/8"

Available
Finishes



SP-1 ACTUAL SIZE



SP-3 ACTUAL SIZE

