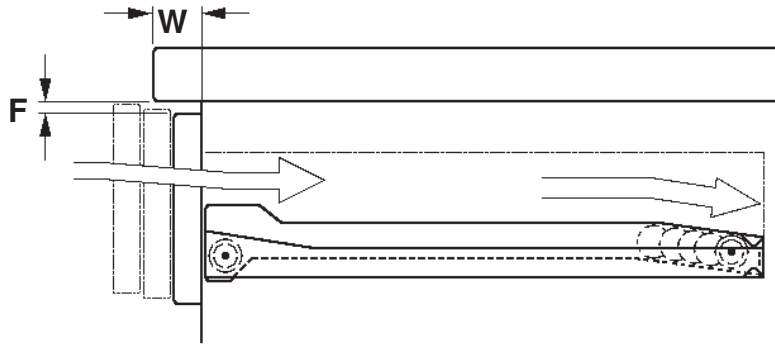


BLUMATIC 230M SELF-CLOSING DRAWER SLIDES

Self-closing action when drawer is approximately 3" from the closed position. Epoxy coated drawer slide mounts to bottom corner of drawer.

Countersunk holes, along with specially contoured cabinet profiles, prevent screw heads from contacting and damaging the rollers during use. Rollers are captive on one side to assure true and stable tracking.

75 pounds dynamic and 100 pounds static load capacities. Side clearance is 1/2" per side.



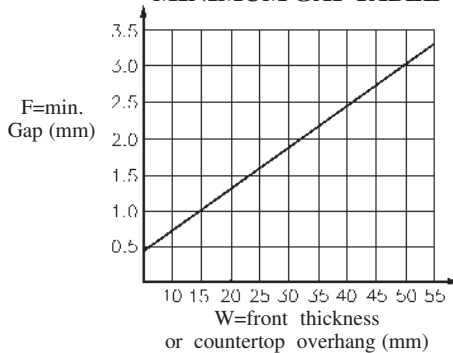
Both drawer and cabinet profiles are equally angled to permit a parallel drop as the drawer closes.



BLUMATIC 230M slides have an identical hole pattern to the former 230E series. This design also makes it possible to interchange between the 430E when 5mm lineboring holes are drilled. When using the 230M drawer slides with existing bore patterns, the drawer front positions will be 2mm lower. To correct this situation, raise the location of the drawer front on the drawer box.

SPECIFICATIONS

MINIMUM GAP TABLE



MINIMUM GAP

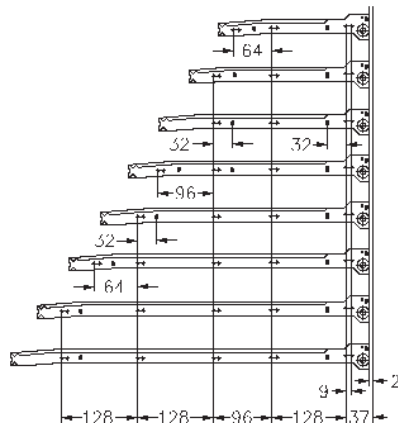
Because the design of BLUMATIC 230M slides lowers the drawer into the closed position, attention to the minimum gap table must be made to prevent drawer fronts from touching. It is important that the overhang of a countertop is considered when calculating the minimum gap for the top drawer front.

For face frame applications: use Blum slide spacers found on page HG-22 and Blum 230M rear mounting sockets.

Right: **SLB-602300** Left: **SLB-602301**

Blum drawer front adjusters **SLB-295.1000** Blum drawer front adjuster template **TLB-65.2950.10**

Universal Bracket Kit: For mounting Blum 230M and 430E runners to the floor of a cabinet (roll-out tray). Zinc coated. Four per set with M4 screws.



Length (mm)	Extension loss (mm)	CabinetWare Part Number
10" (250)	59	SLB-230M2500
12" (300)	85	SLB-230M3000
14" (350)	85	SLB-230M3500
16" (400)	95	SLB-230M4000
18" (450)	95	SLB-230M4500
20" (500)	102	SLB-230M5000
22" (550)	110	SLB-230M5500
24" (600)	120	SLB-230M6000
26" (650)	127	SLB-230M6500
28" (700)*	135	SLB-230E7000
30" (750)*	145	SLB-230E7500
32" (800)*	152	SLB-230E8000

See page SL-2 for Full extension Blum slides.

See page SL-3 & SL-4 for Blum TANDEM concealed drawer runners.

Reference to length in inches is nominal.
*The 230E series drawer slides are not self-closing.

CabinetWare® www.cabinetware.com

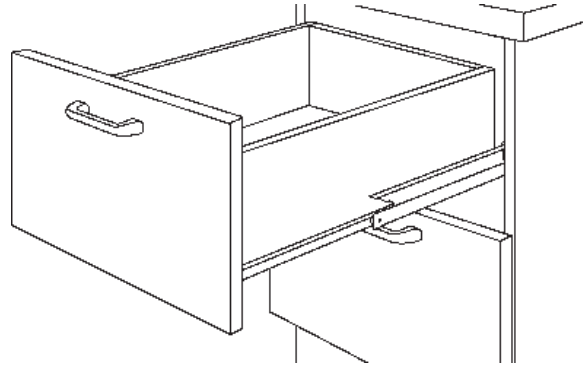
Sarasota 1-800-226-6300	Jacksonville 1-866-855-1575	Orlando 1-888-575-1500	Tampa 1-800-257-1855
----------------------------	--------------------------------	---------------------------	-------------------------

Please note - Some products featured in this catalog may not be stock items. See CabinetWare.com for current stock availability.

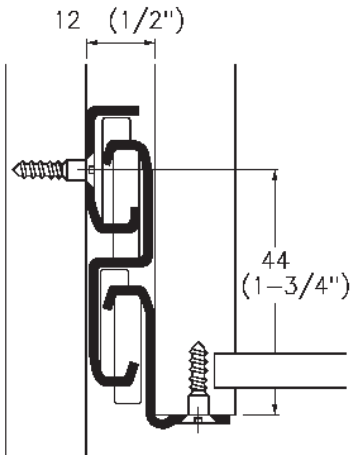
BLUM FULL EXTENSION DRAWER SLIDES

Full extension epoxy coated drawer slides. The running system has the simple, self explanatory E-function giving high ride stability. Mounting is simple, and the fully extended center-section of the slide is self-locating. Removal and re-insertion of the drawer or pull-out shelf is easy.

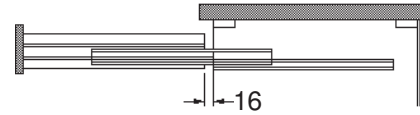
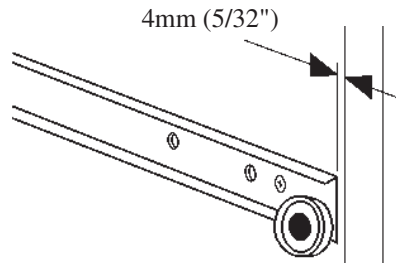
75 pounds dynamic and 100 pounds static load capacities. 12mm (1/2") side clearance per side.



BLUM 430E drawer slides have an identical hole pattern to the 230M series drawer slide. This design makes it possible to interchange between the 230M when 5mm lineboring holes are drilled. The 430E full extension drawer slides mount up 32mm from the standard 230M drawer slides.



Mounting of cabinet runner.



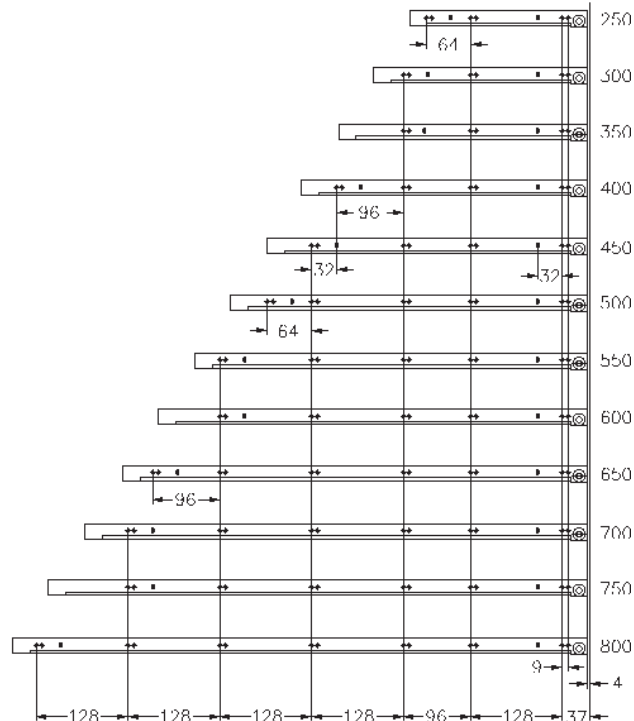
Drawer extends 16mm (5/8") past the front of the cabinet.

Length	(mm)	Over extension	CabinetWare Part Number
10"	(250)	16mm	SLB-430E2500
12"	(300)	(5/8")	SLB-430E3000
14"	(350)	"	SLB-430E3500
16"	(400)	"	SLB-430E4000
18"	(450)	"	SLB-430E4500
20"	(500)	"	SLB-430E5000
22"	(550)	"	SLB-430E5500
24"	(600)	"	SLB-430E6000
26"	(650)	"	SLB-430E6500
28"	(700)	"	SLB-430E7000
30"	(750)	"	SLB-430E7500
32"	(800)	"	SLB-430E8000

Reference to length in inches is nominal.

See page SL-6 & SL-7 for Blum TANDEM concealed drawer runners.

The 430E drawer slides are available in white epoxy coated finish. Cream finish available by special order only, 10 pair minimum quantity.



BLUM SOLO CONCEALED DRAWER SLIDES

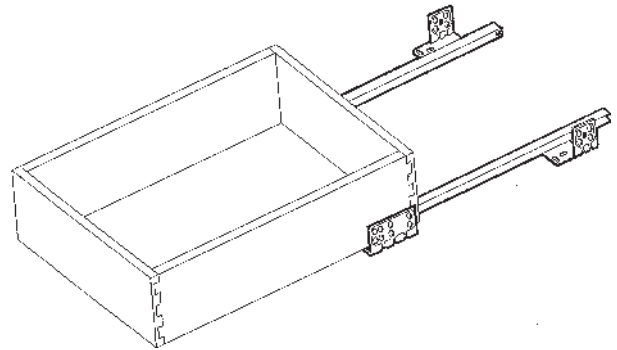
(3/4 extension frameless and face frame)

In 1992, Blum introduced TANDEM concealed drawer runners. With SOLO, the economy, function and reliability of both systems have been combined into a single comprehensive program that forms the foundation for cabinets and furniture of any design.

Because SOLO runners are concealed beneath the drawer, exposed dovetail joinery - a mark of quality drawer construction - is in full, unobstructed view. Self-closing action, a feature in all Blum runners, is standard with SOLO. The multi-channeled profiles and self-lubricating synthetic rollers enable SOLO runners to carry substantial loads over a cycle of life that exceeds ANSI/BHMA industry standards.

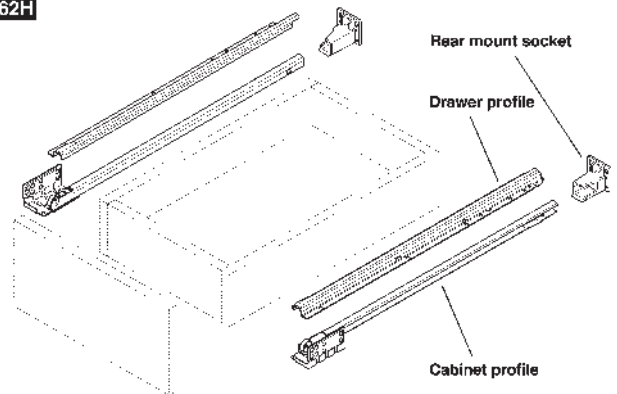
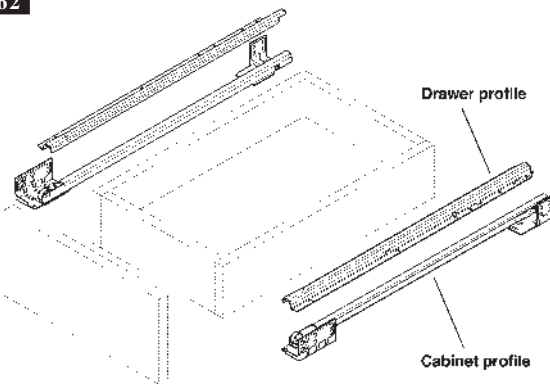
SOLO is engineered to be compatible with Blum's TANDEM system of premium concealed runners. This permits an upgrade from SOLO to TANDEM (including TANDEM full extension series) without changing drawer specifications. SOLO are available for both panel and face frame cabinets.

75 pounds dynamic and 100 pounds static load capacities.



262

262H



The 262 series cabinet profiles have integral front and rear brackets that attach to the side or bottom of a cabinet. Bottom mounting permits attaching a roll-out tray to the bottom of the cabinet without any additional hardware. The 262H series cabinet profiles use rear sockets for the rear attachment (SLB-295.320.36L & SLB-395.320.36R). The synthetic rear mounting sockets self-align the drawer and can be screwed or stapled to the cabinet back. Cream color, epoxy-coated steel. Positive lift over stop for drawer removal. Synthetic, self-lubricating rollers on tempered steel rivets.

262 Series: *frameless* (overlay fronts)

CabinetWare Part Number	Cabinet Profile	Target DL (drawer length)	Cabinet Depth
SLB-262.5330N	22-5/8"	533mm 21"	24"
SLB-262.4570N	19-5/8"	457mm 18"	21"
SLB-262.3810N	16-5/8"	381mm 15"	18"
SLB-262.3050N	13-5/8"	305mm 12"	15"
SLB-262.2290N	10-5/8"	229mm 9"	12"

262H Series: *face frame* (overlay fronts)

CabinetWare Part Number	Cabinet Profile	Target DL (drawer length)	Cabinet Depth
SLB-262H5330N	22-5/8"	533mm 21"	24"
SLB-262H4570N	19-5/8"	457mm 18"	21"
SLB-262H3810N	16-5/8"	381mm 15"	18"
SLB-262H3050N	13-5/8"	305mm 12"	15"
SLB-262H2290N	10-5/8"	229mm 9"	12"

262 Series: *frameless* (inset fronts)

CabinetWare Part Number	Cabinet Profile	Target DL (drawer length)	Cabinet Depth
SLB-262.5330N05	21-15/16"	533mm 21"	24"
SLB-262.4570N05	18-15/16"	457mm 18"	21"

262H Series: *face frame* (inset fronts)

CabinetWare Part Number	Cabinet Profile	Target DL (drawer length)	Cabinet Depth
SLB-262H5330N05	21-15/16"	533mm 21"	24"
SLB-262H4570N05	18-15/16"	457mm 18"	21"

SOLO literature is available from CabinetWare, complete with SOLO to TANDEM interchange specifications.

CabinetWare®

www.cabinetware.com

Sarasota
1-800-226-6300

Jacksonville
1-866-855-1575

Orlando
1-888-575-1500

Tampa
1-800-257-1855

Please note - Some products featured in this catalog may not be stock items. See CabinetWare.com for current stock availability.

BLUM TANDEM CONCEALED DRAWER SLIDES

3/4 EXTENSION SLIDES



FULL EXTENSION SLIDES

Not available with Blumotion. Order locking devices separately.

9" drawer length. 205-293mm Interior depth range.

SLB-552H2290

12" drawer length. 326-369mm Interior depth range.

SLB-552H3050

15" drawer length. 402-445mm Interior depth range.

SLB-552H3810

18" drawer length. 478-521mm Interior depth range.

SLB-552H4570

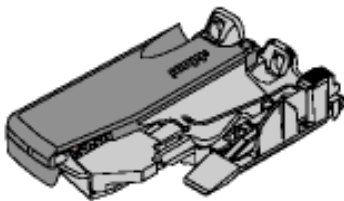
21" drawer length. 555-598mm Interior depth range.

SLB-552H5330

Reference to length in inches is nominal.

CabinetWare

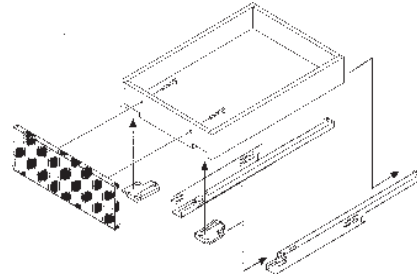
LOCKING DEVICE



Mount under the front of the drawer. The drawer is installed by placing it on the runners and closing which engages the locking devices. The locking devices provide height adjustment for precise drawer front alignment.

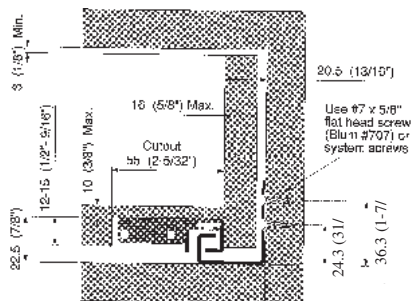
SLB-T51.1700.04.L
SLB-T51.1700.04.R

Left
Right



The TANDEM series runners are designed to work with panel and face frame cabinets in overlay, inset or interior drawer configurations. Because the runners are concealed beneath the drawer, the beauty of finely crafted furniture is not compromised by the hardware. The TANDEM locking devices make drawer installation and removal easy. TANDEM runners are also available equipped with a sealed BLUMOTION spring mechanism that softly self-closes the drawer and keeps it closed.

75 pounds dynamic and 100 pounds static load capacities.



See page TL-12 & TL-13 for drill bits and templates used to install TANDEM slides.

With Blumotion integrated into slide. Order locking devices separately.

12" drawer length. 327-369mm Interior depth range.

SLB-5623050B

15" drawer length. 402-445mm Interior depth range.

SLB-562H3810B

18" drawer length. 480-521mm Interior depth range.

SLB-562H4570B

21" drawer length. 555-598mm Interior depth range.

SLB-562H5330B

Reference to length in inches is nominal.

CabinetWare

Without Blumotion. Order locking devices separately.

12" drawer length. 327-369mm Interior depth range.

SLB-562H3050C

15" drawer length. 402-445mm Interior depth range.

SLB-562H3810C

18" drawer length. 480-521mm Interior depth range.

SLB-562H4570C

21" drawer length. 555-598mm Interior depth range.

SLB-562H5330C

Reference to length in inches is nominal.

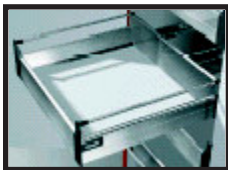
CabinetWare

REAR MOUNTING BRACKETS

Rear mounting bracket for face frame application.

SLB-295.3750

**For
blum®
Tandembox
and
Metabox
Drawer
Systems
Look in
the
DS Section
or our catalog!**

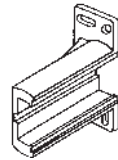


HARRIS



White epoxy coated economy drawer slide. Self-closing. 100 lbs weight capacity. Positive out-stop prevents drawer from falling out. 32mm hole spacing for pre-drilled holes & Euro screws. Sold in box quantity only.

SLH-C8112.12	12"
SLH-C8112.14	14"
SLH-C8112.16	16"
SLH-C8112.18	18"
SLH-C8112.20	20"
SLH-C8112.22	22"
SLH-C8110.24	24"

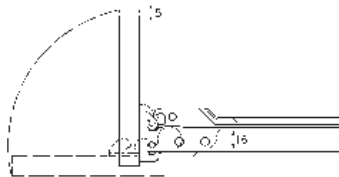


Order rear mounting sockets for face frame applications.

Left	SLB-602301
Right	SLB-602300

— CabinetWare —

**H'AFELE
FRONT HINGED DRAWER
SLIDES**

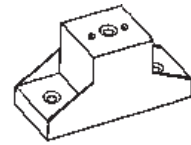


In the raised position, the drawer front is securely retained by the tilting bracket. When lowered, the drawer front is held exactly horizontal. 55 lbs load capacity. Extended shelf is locked in position by double stop. Double captive drawer runners. Single extension. White epoxy coated steel. Base mounted.

SL-423.32.418 410mm long

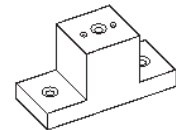
SLIDE SPACERS

1"



1" slide spacer with support ribs. White plastic. **SL-SP32**

3/4"



3/4" slide spacer. Nylon with natural finish. **SLB-602750**

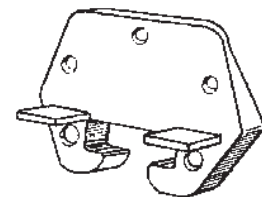


Nylon with natural finish.

- 3mm wide x 15mm dia. **SLB-580590.0000**
- 9mm wide x 15mm dia. **SLB-580580.0000**
- 13mm wide x 15mm dia. **SLB-580570.0000**

— CabinetWare —

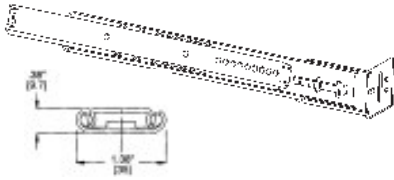
**BACK PLATE DRAWER
GLIDE**



- White plastic. 3/4" x 1/4" slot. **SL-GL159**
- 7/8" x 1/4" slot. **SL-GL501**
- 1-1/8" x 1/4" slot. **SL-GL509**

Please note - Some products featured in this catalog may not be stock items. See CabinetWare.com for current stock availability.

1029 MONORAIL SLIDE



Applications include kitchens and bathroom cabinets, bedroom and dining room case goods. 3/4 extension ball bearing slide. 35 lb. load rating. Single slide concealed under drawer. Zinc finish.

10-5/8" - 12½" drawer length
13" - 14½" cabinet depth
SLA-C.1029.113D

12-5/8" - 14½" drawer length
15" - 16½" cabinet depth
SLA-C.1029.115D

14-5/8" - 16½" drawer length
17" - 18½" cabinet depth
SLA-C.1029.117D

16-5/8" - 18½" drawer length
19" - 20½" cabinet depth
SLA-C.1029.119D

18-5/8" - 20½" drawer length
21" - 22½" cabinet depth
SLA-C.1029.121D

20-5/8" - 22½" drawer length
23" - 24½" cabinet depth
SLA-C.1029.123D

22-5/8" - 24½" drawer length
25" - 26½" cabinet depth
SLA-C.1029.125D

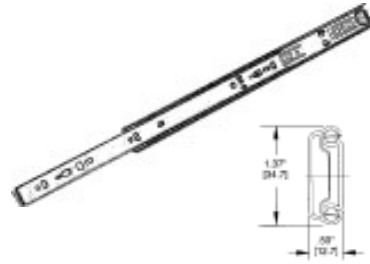
24-5/8" - 26½" drawer length
27" - 28½" cabinet depth
SLA-C.1029.127D

CabinetWare

Want more info?
Don't forget to check
your Accuride catalog,
Or log on to
www.cabinetware.com



2132 LIGHT DUTY SLIDE

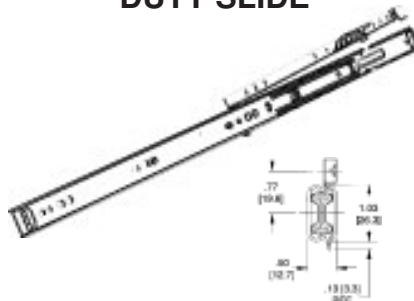


Applications include medium box drawers, store fixtures and kitchen cabinetry. 3/4 extension, ball bearing, low profile slide with lever disconnect. 75 lb. load rating. Zinc finish.

- 10" slide length **SLA-C.2132.10D**
- 12" slide length **SLA-C.2132.12D**
- 14" slide length **SLA-C.2132.14D**
- 16" slide length **SLA-C.2132.16D**
- 18" slide length **SLA-C.2132.18D**
- 20" slide length **SLA-C.2132.20D**
- 22" slide length **SLA-C.2132.22D**
- 24" slide length **SLA-C.2132.24D**
- 26" slide length **SLA-C.2132.26D**
- 28" slide length **SLA-C.2132.28D**

CabinetWare

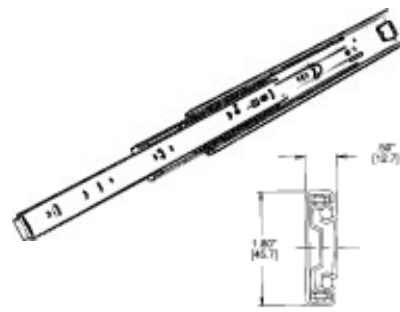
2632 MEDIUM DUTY SLIDE



Applications include residential cabinetry and casework drawers. Commercial desk and storage drawers. Full extension, ball bearing, very low profile slide. Rail mount / disconnect. Hold-in detent. 65 lb. load rating. Zinc finish.

- 8" slide length **SLA-C.2632.08D**
- 10" slide length **SLA-C.2632.10D**
- 12" slide length **SLA-C.2632.12D**
- 14" slide length **SLA-C.2632.14D**
- 16" slide length **SLA-C.2632.16D**
- 18" slide length **SLA-C.2632.18D**
- 20" slide length **SLA-C.2632.20D**
- 22" slide length **SLA-C.2632.22D**

3832 MEDIUM DUTY FULL EXTENSION SLIDE



Applications include store fixtures, desk drawers and residential cabinetry. Full extension ball bearing slide with lever disconnect. 100 lb. load rating. Available in zinc, black and white.

- Zinc*
- 10" slide length **SLA-C.3832.C10P**
 - 12" slide length **SLA-C.3832.C12P**
 - 14" slide length **SLA-C.3832.C14P**
 - 16" slide length **SLA-C.3832.C16P**
 - 18" slide length **SLA-C.3832.C18P**
 - 20" slide length **SLA-C.3832.C20P**
 - 22" slide length **SLA-C.3832.C22P**
 - 24" slide length **SLA-C.3832.C24P**
 - 26" slide length **SLA-C.3832.C26P**
 - 28" slide length **SLA-C.3832.C28P**

- Self-Close. Zinc*
- 14" length **SLA-C.3832.C14SCP**
 - 16" length **SLA-C.3832.C16SCP**
 - 18" length **SLA-C.3832.C18SCP**
 - 20" length **SLA-C.3832.C20SCP**
 - 22" length **SLA-C.3832.C22SCP**
 - 24" length **SLA-C.3832.C24SCP**
 - 26" length **SLA-C.3832.C26SCP**

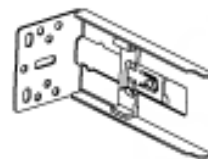
For different colors replace **SLA-C.**

- Black - **SLA.CB**
- White - **SLA.EW**

Some size/color combinations may be special order.

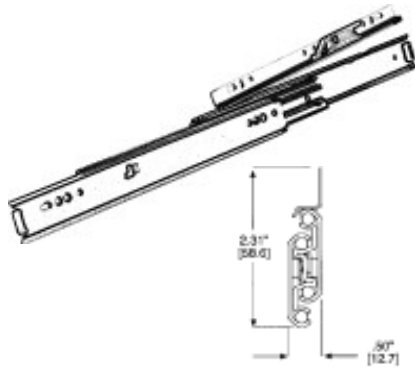
CabinetWare

FACE FRAME ADAPTOR KIT



Face frame adaptor hardware kit for Accuride 3832 series slides. Order one kit per per of slides.
PDA-4180.0322.XE

7434 OVER-TRAVEL SLIDE

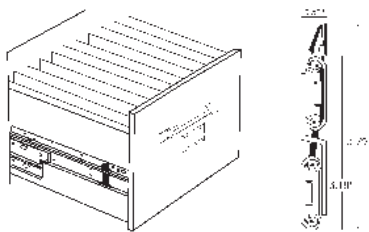


Applications include file, desk and storage drawers. 1" over travel extension, ball bearing slide with hold-in detent. Progressive movement. 100 lb. load rating. Zinc finish.

12" slide length	SLA-C.7434.12D
14" slide length	SLA-C.7434.14D
16" slide length	SLA-C.7434.16D
18" slide length	SLA-C.7434.18D
20" slide length	SLA-C.7434.20D
22" slide length	SLA-C.7434.22D
24" slide length	SLA-C.7434.24D
26" slide length	SLA-C.7434.26D
28" slide length	SLA-C.7434.28D

CabinetWare

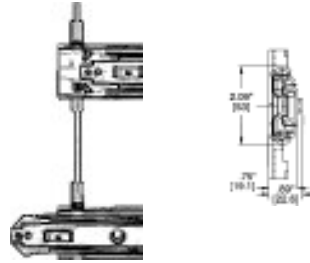
4034 FILE DRAWER SLIDE



Applications include lateral files, file drawers, desk & credenza drawers or deep kitchen drawers. Designed for drawers upto 24" wide. 1" over travel, ball bearing slide. 150 lb. load rating. Zinc finish.

12" slide length	SLA-C.4034.12D
14" slide length	SLA-C.4034.14D
16" slide length	SLA-C.4034.16D
18" slide length	SLA-C.4034.18D
20" slide length	SLA-C.4034.20D
22" slide length	SLA-C.4034.22D
24" slide length	SLA-C.4034.24D
26" slide length	SLA-C.4034.26D
28" slide length	SLA-C.4034.28D

3641 INTERLOCK SYSTEM

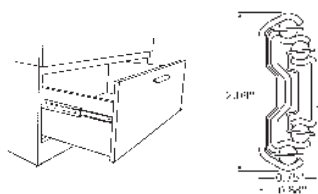


Interlock system for wood applications. Front location of interlock system eliminates reaching during installation. Interfaces with central locking system. Cut-to-length aluminum connecting rods. One piece rail-and-pocket mounting system. Over travel slide with hold-in detent. 180 lb. load rating. Zinc finish.

14" slide length	SLA-C.3641.14
16" slide length	SLA-C.3641.16
17" slide length	SLA-C.3641.17
18" slide length	SLA-C.3641.18
20" slide length	SLA-C.3641.20
22" slide length	SLA-C.3641.22
24" slide length	SLA-C.3641.24
26" slide length	SLA-C.3641.26
28" slide length	SLA-C.3641.28

CabinetWare

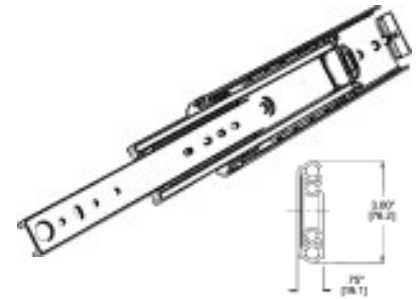
3640 HEAVY DUTY OVER TRAVEL SLIDE



Use with large store fixtures or storage drawers. Full extension with 1" over travel. Side or undermount. 200 lbs. load rating side mount. 75 lbs. load rating undermount. Hold in detent prevents drawer roll out and bounce. Easy installation, removal with bracket and pocket mounting. Clear zinc finish.

14" slide length	SLA-C.3640.14D
16" slide length	SLA-C.3640.16D
18" slide length	SLA-C.3640.18D
20" slide length	SLA-C.3640.20D
22" slide length	SLA-C.3640.22D
24" slide length	SLA-C.3640.24D
26" slide length	SLA-C.3640.26D
28" slide length	SLA-C.3640.28D

9301 HEAVY DUTY SLIDE



For use with large pantry pull-outs, wide lateral file drawers and vehicular storage drawers. Full extension slide with up to 500lb. load rating depending on usage. *Flat mount* - 150lb, *mobile application* - 300lb, *frequent usage* - 400lb and *moderate usage* - 500lb rating. Note, this is a guide. Please refer to Accuride technical information for more details.

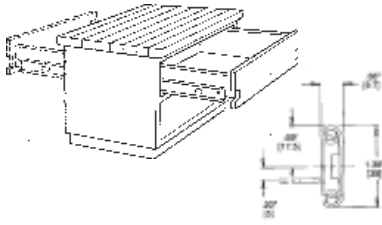
10" slide length	SLA-C.9301.10D
12" slide length	SLA-C.9301.12D
14" slide length	SLA-C.9301.14D
16" slide length	SLA-C.9301.16D
18" slide length	SLA-C.9301.18D
20" slide length	SLA-C.9301.20D
22" slide length	SLA-C.9301.22D
24" slide length	SLA-C.9301.24D
26" slide length	SLA-C.9301.26D
28" slide length	SLA-C.9301.28D
30" slide length	SLA-C.9301.30D
32" slide length	SLA-C.9301.32D
34" slide length	SLA-C.9301.34D
36" slide length	SLA-C.9301.36D
40" slide length	SLA-C.9301.40D
42" slide length	SLA-C.9301.42D
48" slide length	SLA-C.9301.48D
60" slide length	SLA-C.9301.60D

CabinetWare

Notes _____

Please note - Some products featured in this catalog may not be stock items. See CabinetWare.com for current stock availability.

2002 TWO WAY TRAVEL SLIDE

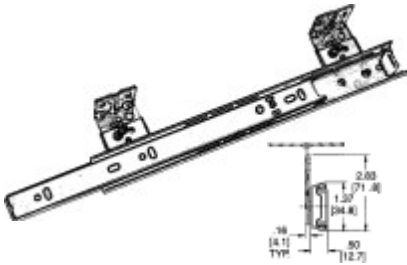


Two way drawers thru kitchen or office work islands and/or rooms. 65Lbs pair capacity. 3/4 travel length of slide both sides. Simple mounting tab and screw installation with optional design for mounting to standards. Secures in the center/closed position. Allows one drawer to serve both sides of cabinet. 3/8" side clearance.

- 12" slide length **SLA-C.2002.12D**
- 14" slide length **SLA-C.2002.14D**
- 16" slide length **SLA-C.2002.16D**
- 18" slide length **SLA-C.2002.18D**
- 20" slide length **SLA-C.2002.20D**
- 22" slide length **SLA-C.2002.22D**
- 24" slide length **SLA-C.2002.24D**
- 26" slide length **SLA-C.2002.26D**
- 28" slide length **SLA-C.2002.28D**

CabinetWare

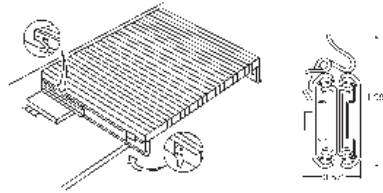
2109 SUSPENDED DRAWER SLIDE



For use with keyboard trays, pencil drawers and drawers beneath desks or tabletops. Hold-out / hold-in detent. Variable height mounting brackets. 3/4 extension, lever disconnect. 75lb load rating. Zinc.

- 12" slide length **SLA-C.2109.12D**
- 14" slide length **SLA-C.2109.14D**
- 16" slide length **SLA-C.2109.16D**
- 18" slide length **SLA-C.2109.18D**
- 20" slide length **SLA-C.2109.20D**
- 22" slide length **SLA-C.2109.22D**
- 24" slide length **SLA-C.2109.24D**
- 26" slide length **SLA-C.2109.26D**
- 28" slide length **SLA-C.2109.28D**

340 BUTCHER BLOCK SLIDE

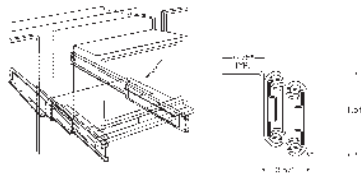


Heavy duty lock-out slide. Use with kitchen cutting boards, personal computer shelves and printer roll-out shelves. Full extension slides. 110lb load rating. Zinc finish.

- 16" slide length **SLA-C.340.249D**
- 18" slide length **SLA-C.340.248D**
- 20" slide length **SLA-C.340.247D**
- 22" slide length **SLA-C.340.176D**

CabinetWare

301 PULL-OUT STORAGE SLIDE



Pull-out storage shelf slide. For use with entertainment centers and kitchen pull-out pantry shelves. Hold-in detent to prevent drawer roll-out. Mounts under shelf. Full extension with 7/8" over travel. 130lb load rating. Zinc finish.

- 12" slide **SLA-C.301.2590.12D**
- 14" slide **SLA-C.301.2590.14D**
- 16" slide **SLA-C.301.2590.16D**
- 18" slide **SLA-C.301.2590.18D**
- 20" slide **SLA-C.301.2590.20D**
- 22" slide **SLA-C.301.2590.22D**
- 24" slide **SLA-C.301.2590.24D**
- 26" slide **SLA-C.301.2590.26D**
- 28" slide **SLA-C.301.2590.28D**

CabinetWare

Notes _____

Other products from



Pocket doors
 See the PD section



Keyboard Trays
 See the FH section



TV Swivels
 See the SW section